

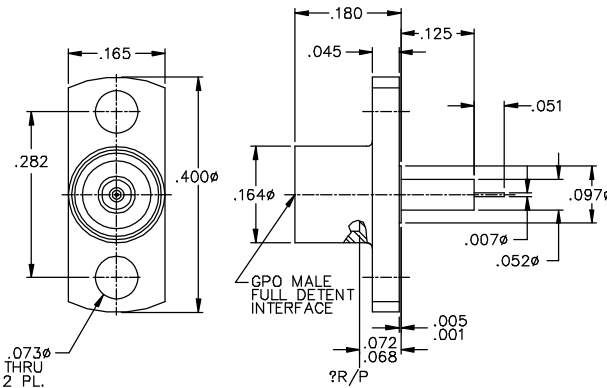
REV.	DESCRIPTION	DATE	BY
E	SEE ECO GM-11474	3/30/00	MJC

MATERIAL AND FINISH

FLANGE MOUNT AND BUSHING: CRES 303 PER ASTM A 484 AND ASTM A 582 OR ASTM A 555 AND ASTM A 581. PASSIVATE PER MIL-F-14072 E300.

PIN CONTACT: BERYLLIUM COPPER PER ASTM B 196 AND/OR ASTM B 197. GOLD PLATE PER MIL-G-45204; TYPE I, GRADE C, CLASS 1. OVER NICKEL PER QQ-N-290A; CLASS 1; 50 MICROINCHES MIN.

DIELECTRICS: VIRGIN PTFE FLUOROCARBON PER ASTM D 1710 AND ASTM D 1457.



This drawing and any data contained therein is the property of Gilbert Engineering Co., Inc. and constitutes and contains proprietary and confidential information. Neither receipt nor possession of this drawing confers or transfers any right to duplicate, use or disclose any information contained herein except as expressly authorized by Gilbert Engineering Co., Inc.		ALL DIMENSIONS IN INCHES	CATALOG NUMBER 0119-895-3	CODE IDENT NO. 82316
DRAWN: JRM	GILBERT ENGINEERING CO., INC.			
DATE 1/21/97	TITLE OUTLINE DRAWING FOR GPO MALE FULL DETENT 2 HOLE FLANGE MOUNT STRAIGHT TERMINAL			
ASSEMBLY PROCEDURES: NONE	DWG. NO. OL-0119-895-3	REV E		
SOURCE FILE: MEOR# 552	SHT. 1	OF 1		